

## Storage and Handling

Nichiha Sierra Premium™ panels (hereafter called “the panels”) must be stored flat and kept dry before being installed. On site it is recommended that you carry the panels by the edges for product integrity.

## Cutting

When cutting, it is recommended that you use either a diamond or carbide tipped blade with a circular saw or hand shears specifically designed for fiber cement siding. Always wear safety glasses and a NIOSH/MSHA approved respirator when handling the panels. Please refer to the MATERIAL SAFETY DATA SHEET\* for specifics on handling panels.

## Preparation

The panels can be installed over sheathing or bracing wood studs. Maximum stud spacing should be no more than 16" o.c. Building wrap is required on all exterior applications. It is recommended that OSB or plywood as sheathing be used to ensure nail-holding power and provide an air gap between panel and sheathing.

## Installation

- Cut the panels horizontally into 3" wide strips and install as you would a starter strip, leaving a minimum 6 1/8" from soil grade or 2 1/8" from hard surface to the bottom of the strip.
- Install the first course of the panels horizontally; the bottom edge should overlap the starter strip by 1/8".
- Use 6d or 8d nails or 2" length siding nails when fastening panels to stud. It is recommended that fasteners used with the panels be high quality corrosion resistant such as hot-dipped galvanized or stainless steel. Fasteners must penetrate the stud a minimum of 1".
- All vertical panel joints must be located on studs.
- Nailing occurs a minimum of 1" from top edge and a minimum of 3/4" from panel edges. Fasteners must be angled on the vertical joint.

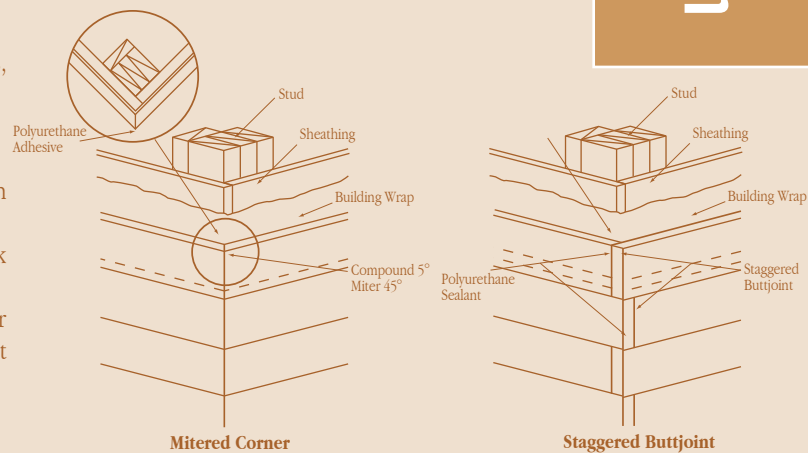
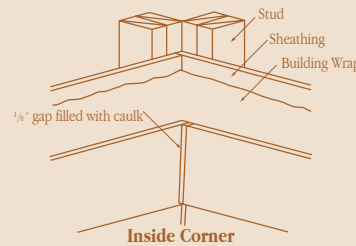
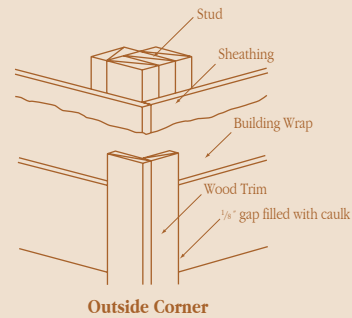
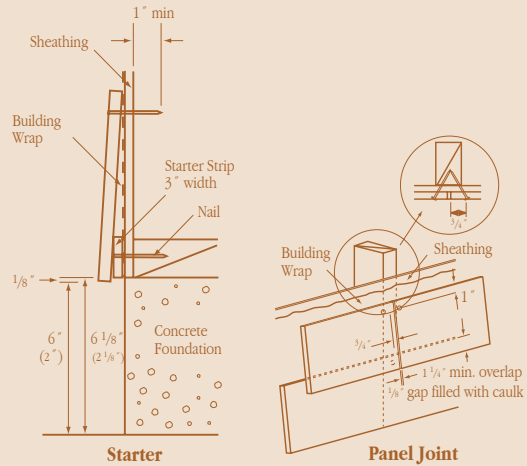
It is recommended that you use a pneumatic tool that is specifically designed for use with siding fasteners. Check with tool manufacturer for recommended air pressure. Air pressure that is too high may cause panels to break and air pressure that is too low may cause nail head exposure. Set the proper air pressure for each job.

- Provide a 1/8" gap between the panels and trim, such as windows and doors, for caulking.
- A minimum of 1 1/4" overlap is required on the horizontal joint.

## Finishing

- It is recommended that an acrylic exterior patching putty be used to fill in dents, chips or cracks.
- It is recommended that an ASTM C 920 compliant caulk be used. Caulk should be applied in accordance with sealant manufacturer's instructions.
- Primed panels must be finished at job site within two months after installation. A high-quality acrylic latex paint for exterior fiber cement products should be used.

## Details



**Silica Dust Warning.** NICHIHA products contain crystalline silica (a.k.a. sand, silicon dioxide), which is a common Earth's naturally occurring mineral. Inhalation of crystalline silica into the lungs and repeated exposure, can cause health disorder, such as silicosis, lung cancer, or a potentially death. Whenever drilling, cutting, sawing, sanding or abrading the product, users must observe the following safety practices. 1) Use best work practices to reduce airborne dust concentrations. 2) Work outdoors where feasible, otherwise use mechanical ventilation. 3) Everyone handling NICHIHA's product or in the vicinity of others using NICHIHA's product must wear safety glasses and properly fitted respirators, prior to handling NICHIHA products. We require that users wear a NIOSH/OSHA approved respirator with a rating of N100, P100, or R100 in accordance with applicable government regulations and manufacturer instructions. All employers must comply with the OSHA PEL and ACGIH TLV-TWA. 4) Use a circular saw with dust collector for cutting. The dust collector must be connected to a HEPA vacuum. 5) Do not use compressed air for cleaning dust. 6) Warn others in area. These requirements are designed to help minimize exposure to crystalline silica. We also require that you read all instructions and warnings (including the MSDS) prior to using NICHIHA's product. For further information or question, please consult the MSDS or your employer. FAILURE TO ADHERE TO OUR WARNINGS, MSDS, AND OTHER INSTRUCTIONS MAY LEAD TO SERIOUS PERSONAL INJURY OR DEATH.

\*See Nichiha Warranty for detailed information on terms, conditions and limitations.  
\*Note: Printed material may not accurately depict actual product color.  
©2007 Nichiha USA, Inc. All rights reserved. Printed in the USA. 11/06 PP N1530

## NICHIHA Fiber Cement

6659 Peachtree Industrial Blvd.,  
Suite AA, Norcross, GA 30092  
Toll Free 1.86.Nichiha.1  
(1.866.424.4421)  
Phone 770.805.9466  
Fax 770.805.9467

[www.nichiha.com](http://www.nichiha.com)